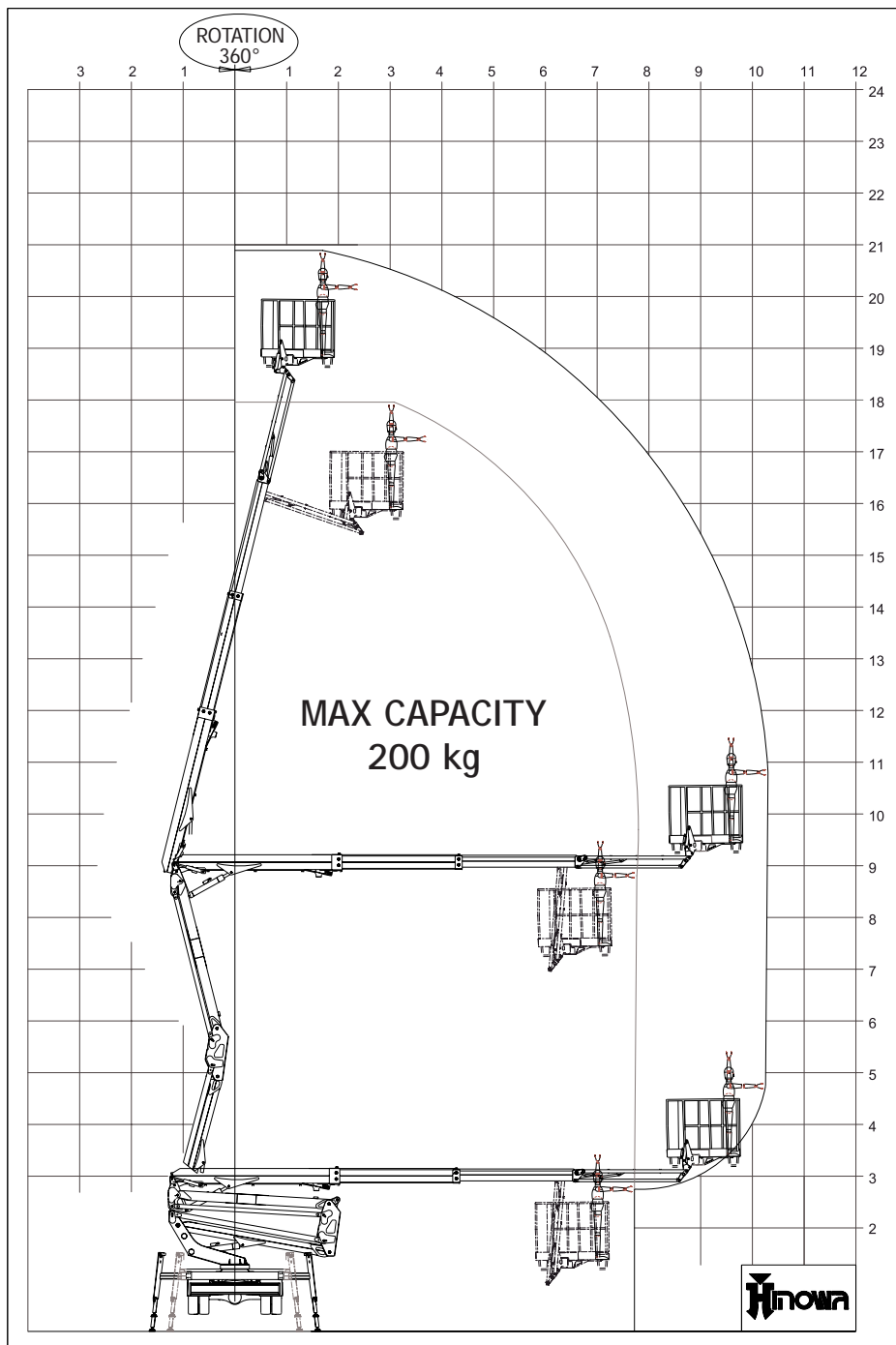




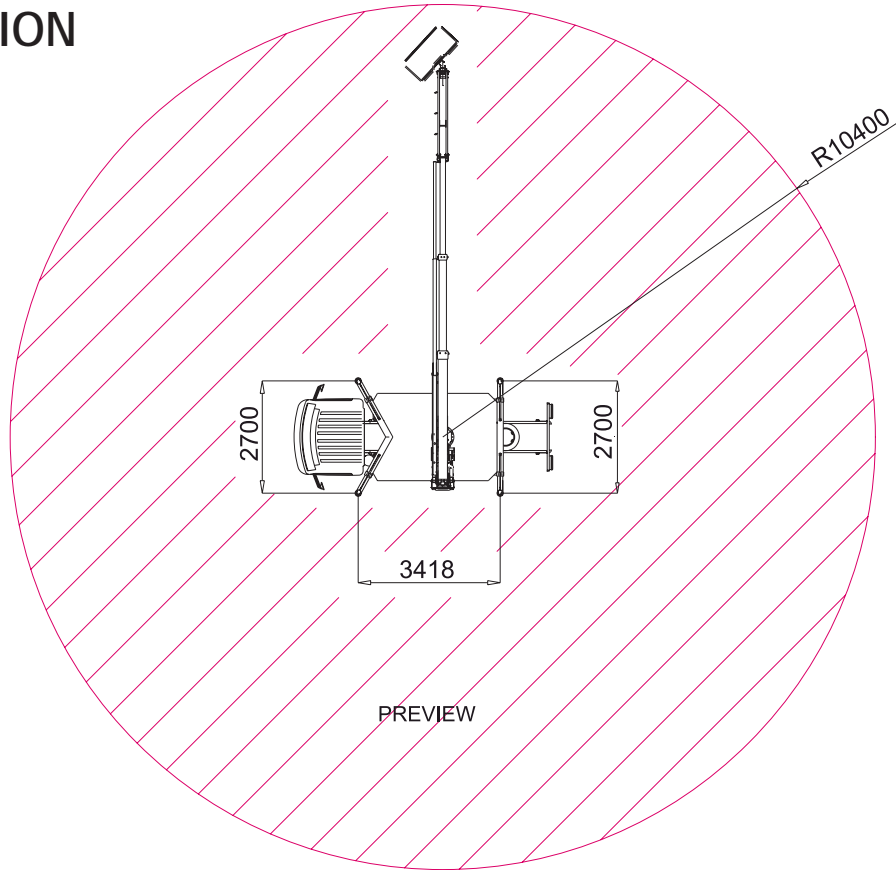
New truck-mounted
aerial platform
B driving licence



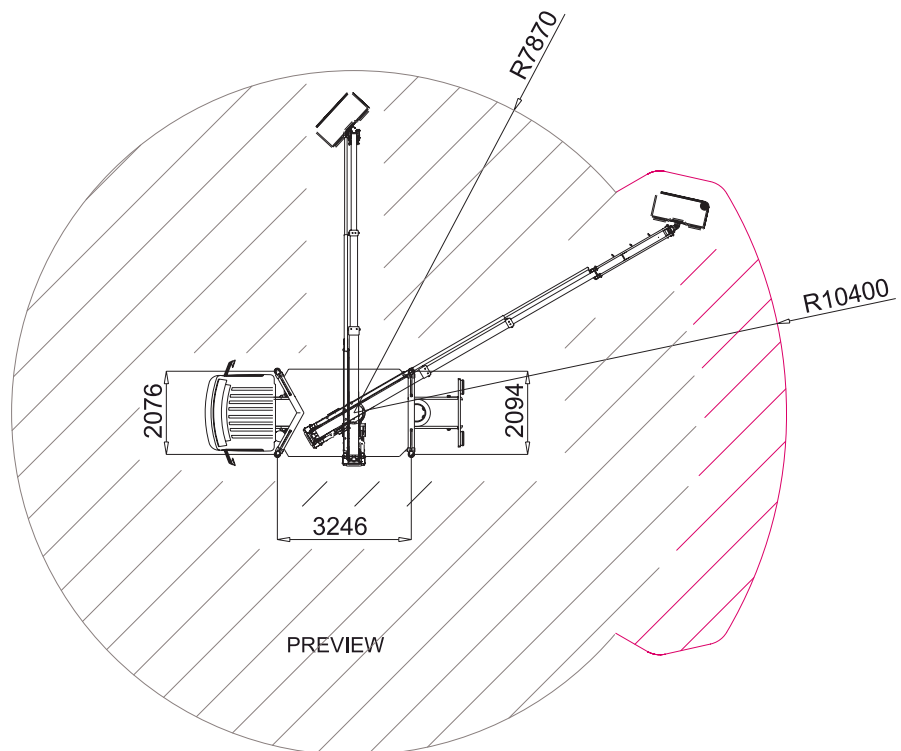
SPECIFICATIONS



TOTAL STABILIZATION AREA



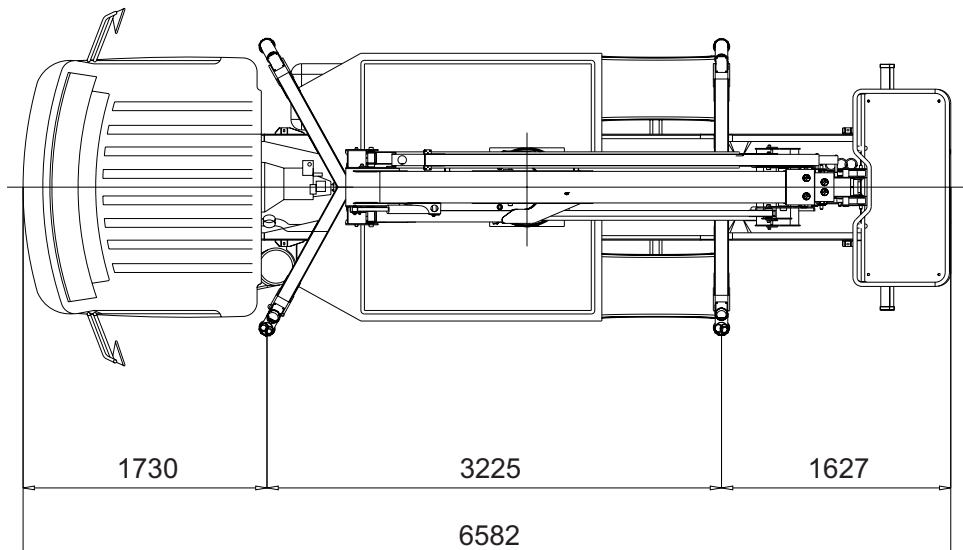
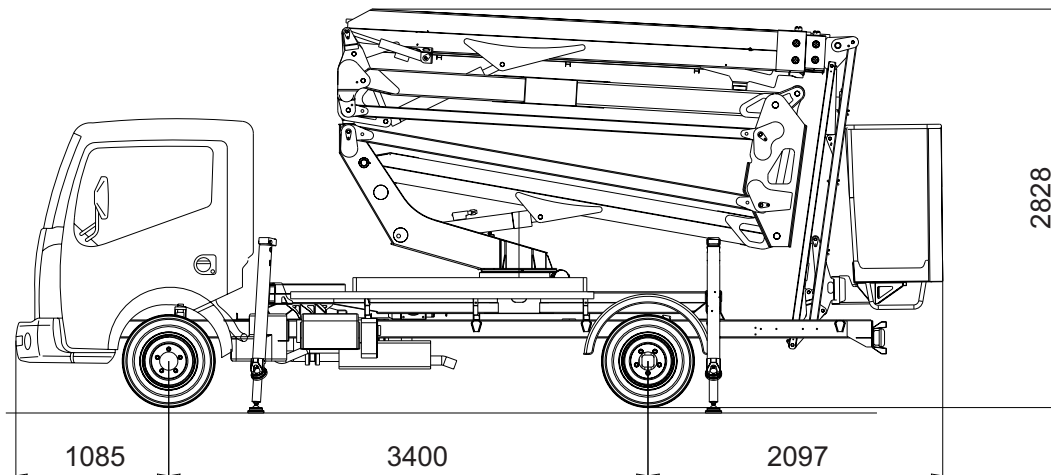
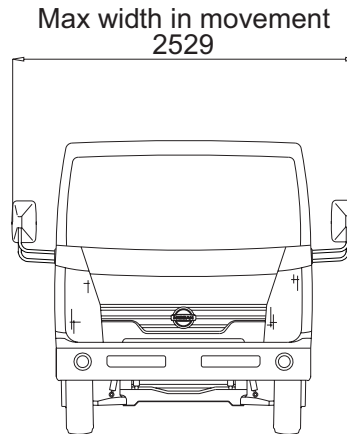
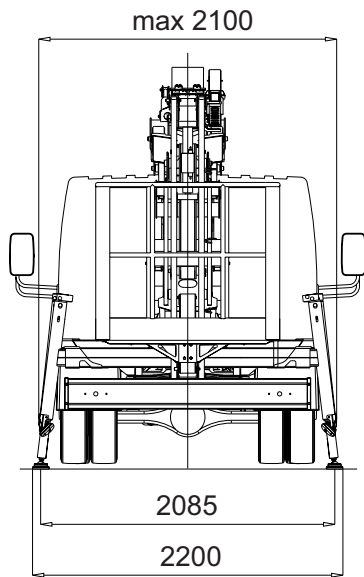
REDUCED STABILIZATION AREA





New truck-mounted aerial platform - B driving licence

ORCHIDEA LIFT 2.11



SPECIFICATIONS

Mounted on chassis	PTT 35 quintals
Type.....	NISSAN CABSTAR
Displacement	2500 cc
Power	110 HP
Max working height.....	20,90 m
Walkway surface height	18,90 m
Max outreach	10,30 m
Capacity	200 kg
Basket dimensions	1400x700xh.1130 mm
Superstructure rotation	360°
Articulated JIB	0°/90°
Electric engine (Optional).....	220 Volt
Controls	hydraulic
Automatic stabilization	inclination up to 7,5%
Destabilization	automatic

- GO HOME function for the automatic closing and centring of the aerial part
- Interactive display on remote control
- Visibility of the machine on the web R.A.H.M.
- Lubrication-free pins
- Acceleration and deceleration control on all the movements
- Emergency descent for gravity controlled from the basket
- Double pantograph lifting system which allows a vertical movement of the basket up to 11 metres working height.
- Electromechanical power take-off